

Tehničke specifikacije

Performance Parameters

Specification	EM231, 2 AI×16BIT
Physical Features	
Dimensions(W×H×D)	71.2×80×62mm
Power Loss(dissipation)	3.5W
Power Consumption	
From +5V(from I/O bus)	20 mA
From L+	30 mA
L+ voltage range,class 2 or DC sensor supply	20.4 ~ 28.8V DC
LED indicator	24 VDC Power Supply Good ON = no fault, OFF = no 24 VDC power
Power Output Feature	
Rated voltage output	10V DC
Rated current output	10mA
Overload protection	Yes
Analog Input Feature	
Number of analog input points	4 points
Isolation(field side to logic circuit)	Yes

input type	Differential
Input Range	$\pm 10V$, $\pm 5V$,
Data Range	
Bipolar, full-scale range	0 ~ 32000
Unipolar, full-scale range	-32000~32000
Input Resolution	
Voltage(unipolar)	0.31mV (0 ~ 10V) 0.15V (0~5V)
Voltage(bipolar)	0.61mV ($\pm 10V$) 0.31mV ($\pm 5V$)
Analog to digital conversion time	<200 μ s
Analog input step response	<1ms
Common mode rejection	85dB , DC to 60Hz
Maximum input voltage	30V
Maximum input current	25mA
Inverse polarity protection	Yes
Permissible differential voltage	
UCM Voltage	3V
Maximum differential voltage between input ground and power ground	75V DC
Current input	0~20mA
Input resolution	15 bits plus sign
ADC resolution	16BIT

Maximum accuracy	± 0.1%
Linear accuracy	± 0.05 %

Configuration

Table 1 shows how to configure the module using the configuration DIP switches , Switches 1, 2, and 3 select the analog input range. All inputs are set to the same analog input range. In this table, ON is closed, and OFF is open. (SW4 to SW5 should be set to the OFF position).

Table 1 Configuration Switch Table to select Analog Input Range.

SW1	SW2	SW3	Full-Scale Input	Resolution
OFF	OFF	ON	± 10 V	312.5uV
	ON	OFF	± 5 V	156.25uV

Filter characteristics

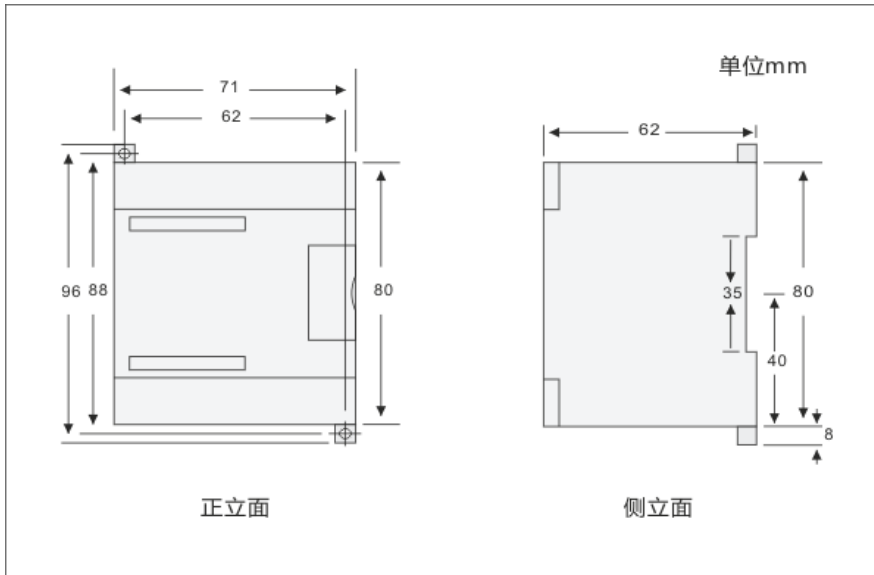
Table 2 shows how to configure the module using the configuration DIP switches , Switches 6 select the analog input Filter characteristics.

Table 2 Configuration Switch Table to select Analog Input Filter characteristics

Switch	characteristic	step response time
SW6	OFF : filtering	OFF : 2 mS
	ON : NO filtering	ON : 1 mS

Input Data Word Format

Dimenzije



Šema spajanja

